



Air Outlets

SMOKE MOTORIZED DAMPER SMD



Scan
Me



Pro-airoutlets.com

SMOKE MOTORIZED DAMPER SMD

TYPES

- SMD : SMOKE MOTORIZED DAMPER (Parallel blade operation)
- SFMD : SMOKE FIRE MOTORIZED DAMPER (Parallel blade operation)

FEATURES

MATERIALS

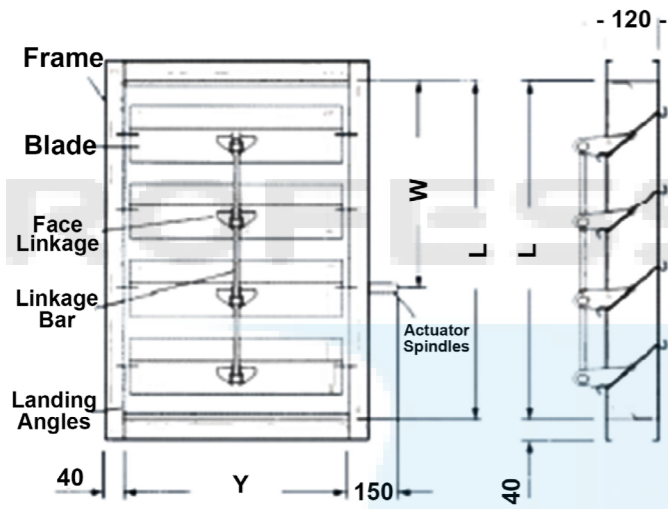
- Casing and face linkage : Construction from 1.5 mm galvanized steel sheet.
- Blades : Construction from 1.5 mm galvanized steel sheet.



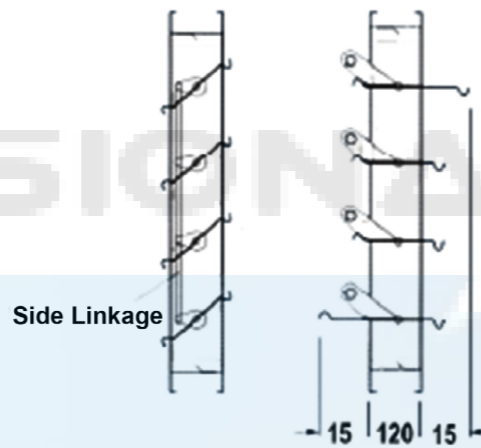
- The smoke dampers are used to prevent the passage of flame and smoke through ventilation and air conditioning system between the sections of large buildings such as malls , conference rooms , hotels .. etc.
- The smoke dampers designed assures approximately no smoke and flame leakage when blades are automatically closed and maintain shutdown for a period specified according to the international systems .
- Smoke motorized dampers are suitable to use in vertical or horizontal installation.
- Case bearing made from bronze .
- Blades fitted with 12 mm zinc plated mild steel spindle .
- Face linkage consists of 16 mm diameter stainless steel pivot pin of 8 mm diameter zinc plated mild steel.
- Side linkage consists of flat section link arms crimped to blade spindles and connected by flat section bar fitted with bushes running on 6 mm diameter pins .
- stainless steel side seals to reduce leakage between blades and side frame .
- spring return actuator

DIMENSIONAL DETAILS

Type SMD Face Linkage (Flange CASE)

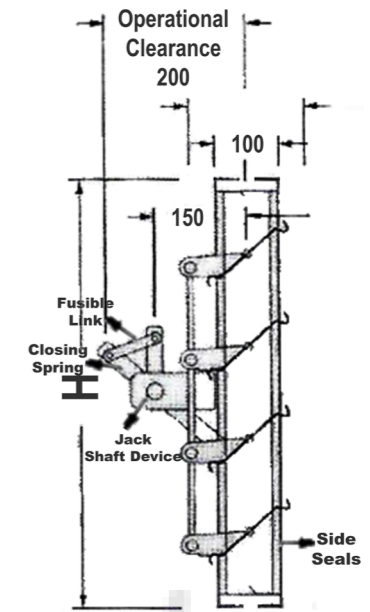
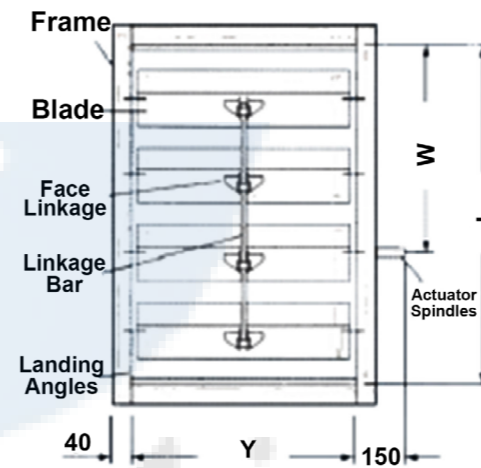


Flange Case Side Linkage (Option)



DIMENSIONAL DETAILS

Type SFMD Flange Case



Standard Sizes Type SMD

W (mm)	H (mm)	NO Blades	Position of drive arm X (mm)
150	150	1	75
200	200	1	100
250	250	1	125
300	300	1	150
350	350	2	240
400	400	2	275
450	450	2	300
500	500	3	240
600	600	3	300
700	700	4	425
800	800	5	390
900	900	5	450
1000	1000	6	575
1100	1100	7	540
1200	1200	7	600
	1300	8	725
	1400	9	690
	1500	9	750
	1600	10	875
	1700	11	840
	1800	11	900

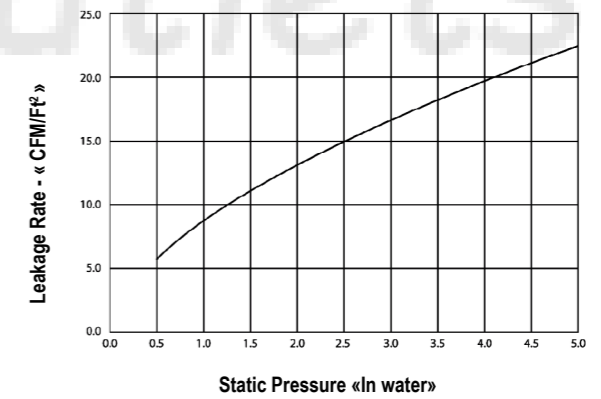
Standard sizes are available upon request

- Minimum Size
150(w) x 150(H) mm
- Maximum Size
1200 x 1200 mm
- Multiple Section
120 x 180 mm

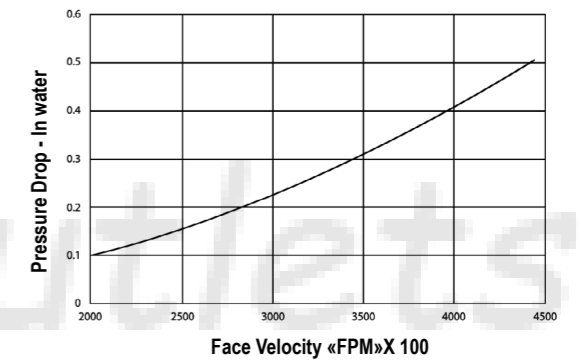
Standard Sizes Type SFMD

W (mm)	H (mm)	NO Blades	Position of drive arm X (mm)
250	250	1	75
300	300	1	75
350	350	2	165
400	400	2	200
450	450	2	225
500	500	2	165
550	600	2	225
600	700	4	350
650	800	5	315
700	900	5	375
750	1000	6	500

1- Leakage Chart

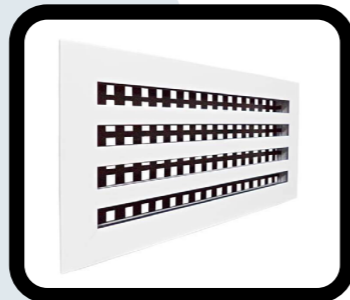


2- Pressure Drop Chart





Linear Slot Diffusers LSD



Linear Bar Grilles LBG

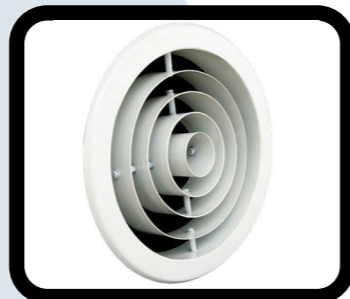
External Louvers EX-L



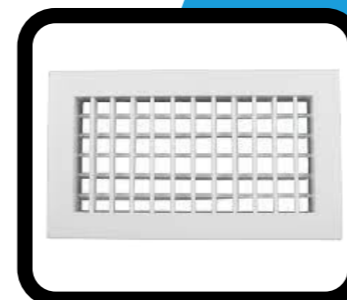
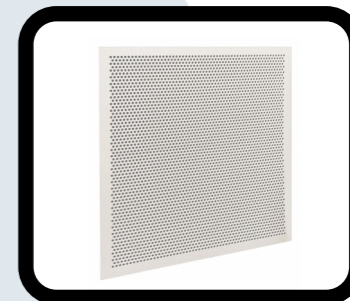
Square Ceiling Diffusers SCD



Jet Nozzles JN

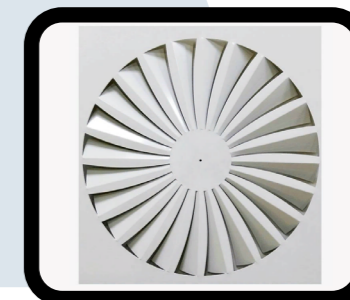


Perforated Ceiling Diffusers PCD



Grilles And Registers SR

Swirl Diffusers SW-D

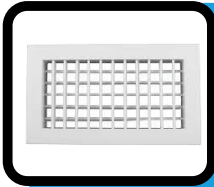


Volume Control Dampers VCD

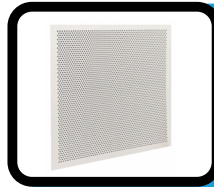


Curtain Fire Dampers FD-C





GRILLES AND REGISTERS



**PERFORATED CEILING
DIFFUSERS**



**SQUARE & RECTANGULAR
& Circular CEILING
DIFFUSERS**



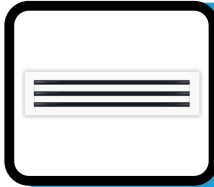
GRAVITY SHUTTERS



**LINEAR BAR
GRILLES®ISTERS**



TRANSFER GRILLES



**Linear Slot
Diffusers**



DISC VALVES



EXTERNAL LOUVERS



SWIRL DIFFUSERS



SAND TRAP LOUVERS



**VOLUME CONTROL
DAMPERS**



JET NOZZLES



**CURTAIN FIRE
DAMPERS**



JET DIFFUSERS



**SMOKE MOTORIZED
DAMPERS**

Contact us

Website: www.Pro-airoutlets.com

E-mail: info@Pro-airoutlets.com

Phone : 01273649465 - 01001965968

Address : #8 Mohamed Omar Street, off Taha Hussein Street, fourth floor, Apartment 7, New Nozha