



Air Outlets

JET DIFFUSERS

JD



Scan
Me 



Pro-airoutlets.com

JET DIFFUSERS JD



TYPES

- JD : JET DIFFUSERS



FEATURES

MATERIALS

- Jet diffuser manufactured in aluminium.
- Panel made of galvanized sheet steel.

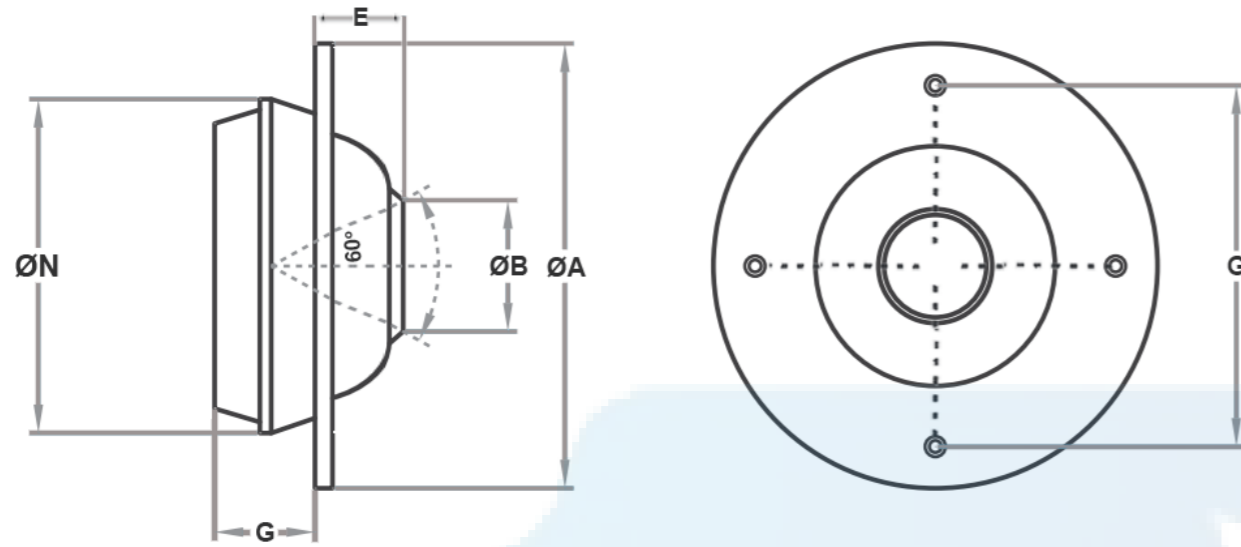
FINISH

- Standard electrostatic white paint , other colours available on request .



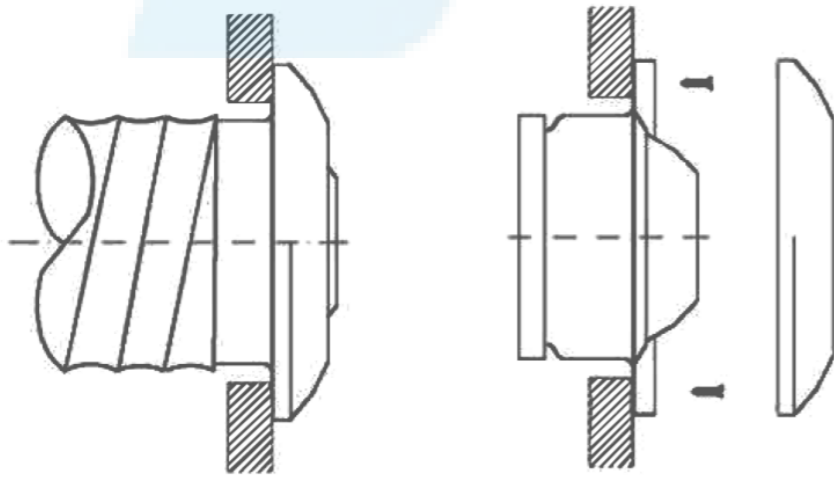
- The jet diffusers are used in applications where the supplied air has to travel a long distance from the diffuser to the required air conditioned area such as sport halls , large room , airports , mosques , churches , galleries , shopping centers , theaters , etc...
- Many factors could affect the direction , and length of this air stream such as air velocity from the jet , air flow , temperature difference between the supplied air and the room , and local convection effects or draughts with in the room.
- The well - designed , aerodynamically efficient shape of jet diffusers they ensure a reduced noise and even long throw at high outlet velocities (low noise level / high induction level).
- The jet diffuser is oscillate over 360° .
- The jet diffuser can be oriented upwards or downwards for cooling and heating purpose.
- The jet diffuser is adjustably over 60° (cooling - heating) .
- Available with 1 , 2 , 3 or 4 jet diffusers integrated in one panel .
- The jet diffuser for mounting on wall or duct with flat mounting flange and fully adjustable jet.

DIMENSIONAL DETAILS



N	A	B	C	E	G
160	220	85	100	50	180
200	265	110	115	55	225
250	315	140	130	60	275
315	385	175	155	65	345
400	480	220	190	100	440

INSTALLATION



- 1- Wall or ceiling mounting by means of hidden screws behind the ring.
- 2- Connection in to a circular metallic duct.

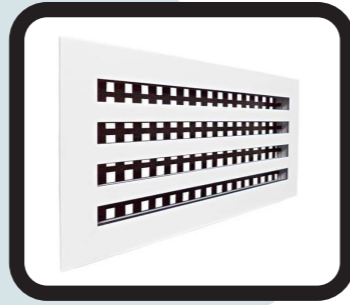
PERFORMANCE DATA

Size Ø mm	Terminal Velocity, FPM	50			100			200		
		85	165	250	165	330	495	330	660	990
160	Air Volume, FPM	<20	<20	33	<20	40	51	40	80	120
	Throw, Feet	30	60	100	30	60	100	30	60	100
200	Air Volume, FPM	105	220	305	220	435	655	435	870	1305
	Throw, Feet	<20	<20	25	<20	35	47	35	70	105
250	Air Volume, FPM	135	275	380	275	550	825	550	1100	1650
	Throw, Feet	<20	<20	23	<20	32	43	32	64	96
315	Air Volume, FPM	180	335	540	350	700	1055	700	1400	2105
	Throw, Feet	<20	<20	23	<20	28	40	28	56	84
400	Air Volume, FPM	235	465	700	465	930	1395	930	1860	2780
	Throw, Feet	<20	<20	21	<20	28	39	28	56	84

NC values are based on a room of 8 dB.



Linear Slot Diffusers LSD

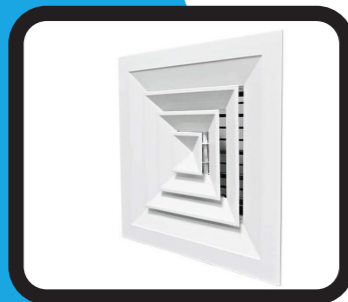


Linear Bar Grilles LBG

External Louvers EX-L



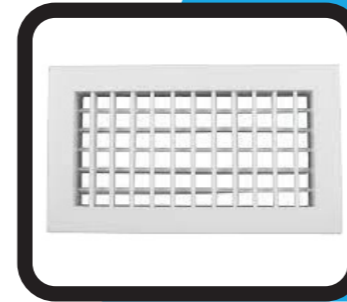
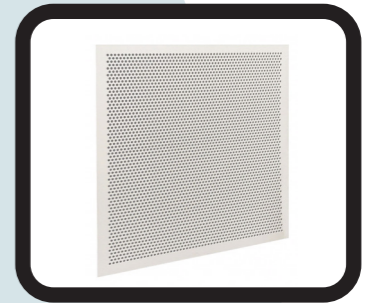
Square Ceiling Diffusers SCD



Jet Nozzles JN



Perforated Ceiling Diffusers PCD



Grilles And Registers SR

Swirl Diffusers SW-D

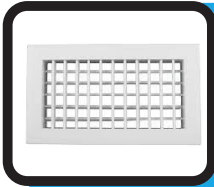


Volume Control Dampers VCD

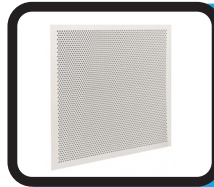


Curtain Fire Dampers FD-C





GRILLES AND REGISTERS



**PERFORATED CEILING
DIFFUSERS**



**SQUARE & RECTANGULAR
& Circular CEILING
DIFFUSERS**



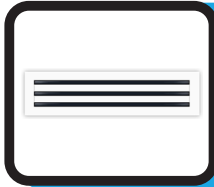
GRAVITY SHUTTERS



**LINEAR BAR
GRILLES®ISTERS**



TRANSFER GRILLES



**Linear Slot
Diffusers**



DISC VALVES



EXTERNAL LOUVERS



SWIRL DIFFUSERS



SAND TRAP LOUVERS



**VOLUME CONTROL
DAMPERS**



JET NOZZLES



**CURTAIN FIRE
DAMPERS**



JET DIFFUSERS



**SMOKE MOTORIZED
DAMPERS**

Contact us

Website: www.Pro-airoutlets.com

E-mail: info@Pro-airoutlets.com

Phone : 01273649465 - 01001965968

Address : #8 Mohamed Omar Street, off Taha Hussein Street, fourth floor, Apartment 7, New Nozha