



Air Outlets

DISC VALVE DV



Scan
Me 



Pro-airoutlets.com

DISC VALVE DV

TYPES

- DV : DISC VALVE



FEATURES

MATERIALS

- made of high quality plastic (PVC) or high quality aluminium sheet forming.
- Spindle and locking nut galvanized steel.

- DISC VALVES have been designed to provide a compact , clean and attractive means to supply fresh air to bathrooms , toilets , washrooms and kitchen, etc.
- Used for supply and exhaust ventilation air conditioning and heating.
- Used to arrange correct air circulation in premises.
- Excellent pressure drop and noise characteristics.
- Can be mounted in wall , in false ceiling .
- quick , easy valve removal.
- Air flow rate is controlled by rotating the control disc.
- Control disc is fixed by the locking nut.

FINISH

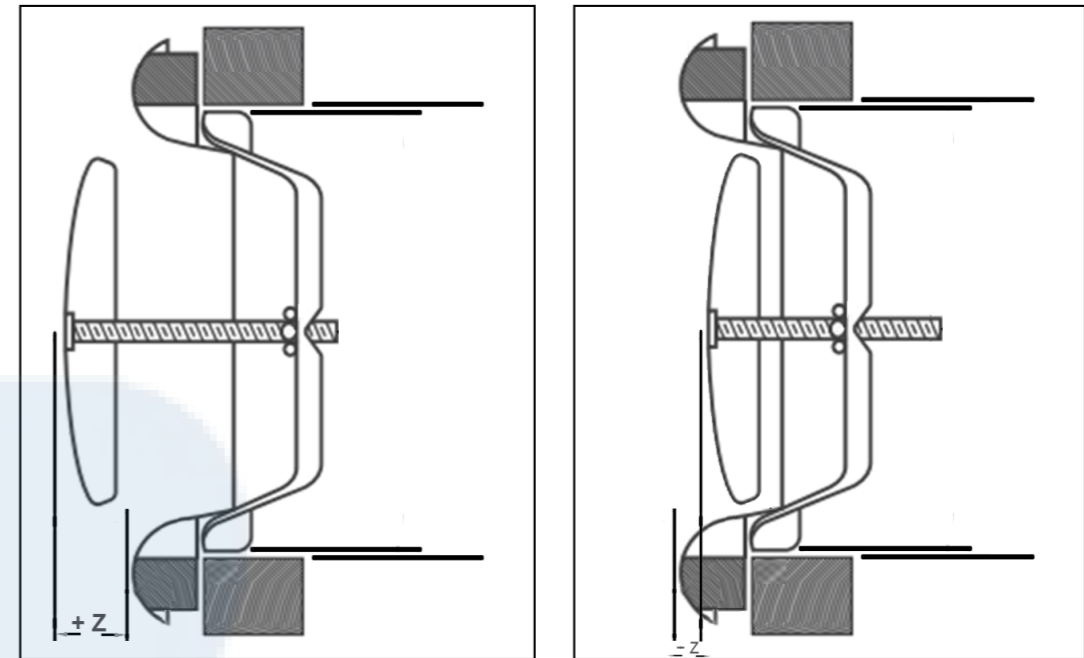
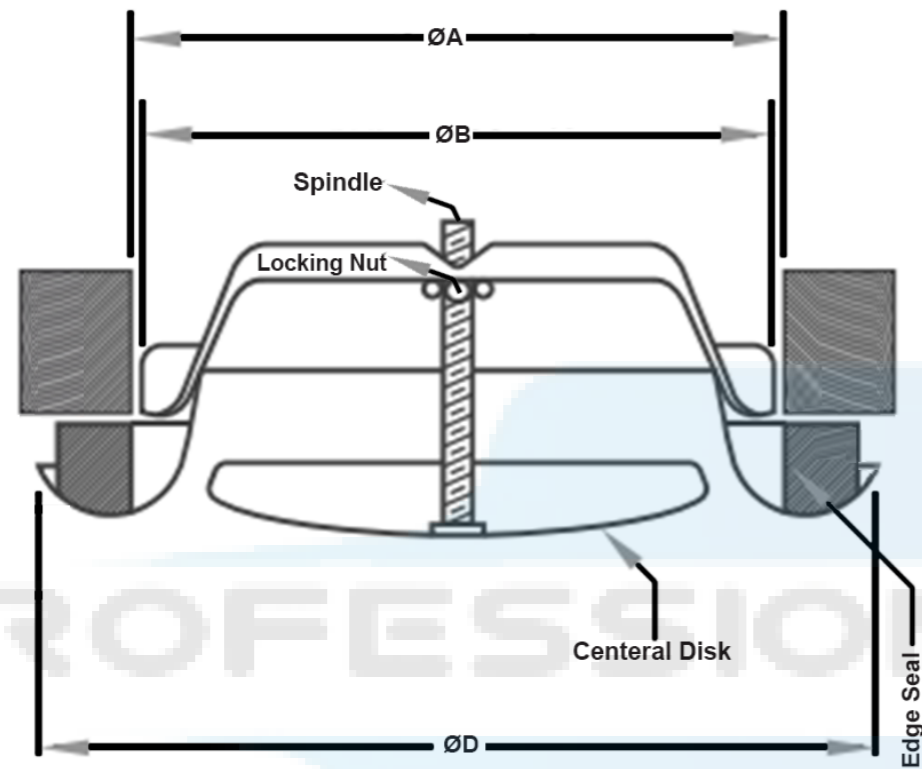
- Standard aluminium finish is white powder paint or any other color



Air Outlets

DIMENSIONAL DETAILS

PERFORMANCE DATA



Standard sizes

Nominal size Ø	A	B	D
100	140	94	190
125	165	119	215
150	190	144	240
200	240	194	290

Air Flow (CFM)		10		15		20		25		30		40		50	
Size	Core position	NC	Pa	NC	Pa	NC	Pa	NC	Pa	NC	Pa	NC	Pa	NC	Pa
100 mm	mid-range	20	30	29	62	34	100								
	fully open		8		16	20	26								

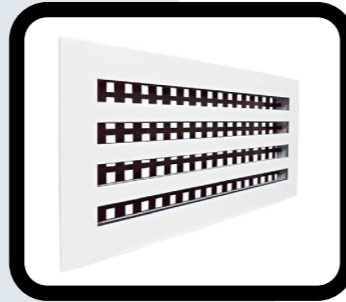
Air Flow (CFM)		10		15		20		25		30		40		50	
Size	Core position	NC	Pa	NC	Pa	NC	Pa	NC	Pa	NC	Pa	NC	Pa	NC	Pa
125 mm	mid-range		11		24	20	41	27	65	33	95	45	140	N/A	N/A
	fully open					15		24	20	34	34	29	35	93	

Air Flow (CFM)		10		15		20		25		30		40		50	
Size	Core position	NC	Pa	NC	Pa	NC	Pa	NC	Pa	NC	Pa	NC	Pa	NC	Pa
150 mm	mid-range				13		21	21	31	26	44	33	63	38	102
	fully open							11		15	20	25	27	39	

Air Flow (CFM)		50		60		70		80		90		100		110	
Size	Core position	NC	Pa	NC	Pa	NC	Pa	NC	Pa	NC	Pa	NC	Pa	NC	Pa
200 mm	mid-range	26	40	36	60	40	80	45	100	48	115	50	150	N/A	N/A
	fully open		9		13	17	20	20	22	24	29	27	40	32	43



Linear Slot Diffusers LSD



Linear Bar Grilles LBG

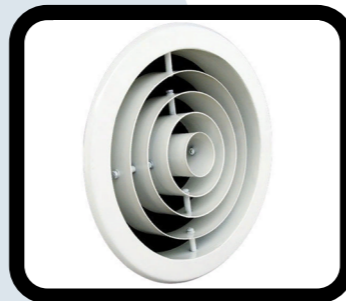
External Louvers EX-L



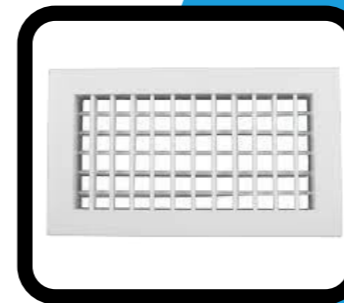
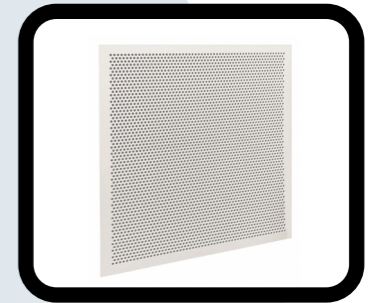
Square Ceiling Diffusers SCD



Jet Nozzles JN



Perforated Ceiling Diffusers PCD



Grilles And Registers SR

Swirl Diffusers SW-D

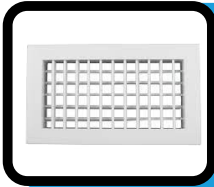


Volume Control Dampers VCD

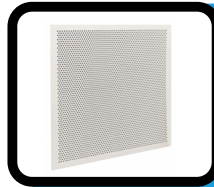


Curtain Fire Dampers FD-C





GRILLES AND REGISTERS



**PERFORATED CEILING
DIFFUSERS**



**SQUARE & RECTANGULAR
& Circular CEILING
DIFFUSERS**



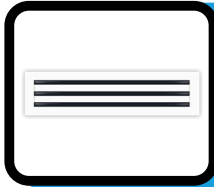
GRAVITY SHUTTERS



**LINEAR BAR
GRILLES®ISTERS**



TRANSFER GRILLES



**Linear Slot
Diffusers**



DISC VALVES



EXTERNAL LOUVERS



SWIRL DIFFUSERS



SAND TRAP LOUVERS



**VOLUME CONTROL
DAMPERS**



JET NOZZLES



**CURTAIN FIRE
DAMPERS**



JET DIFFUSERS



**SMOKE MOTORIZED
DAMPERS**

Contact us

Website: www.Pro-airoutlets.com

E-mail: info@Pro-airoutlets.com

Phone : 01273649465 - 01001965968

Address : #8 Mohamed Omar Street, off Taha Hussein Street, fourth floor, Apartment 7, New Nozha